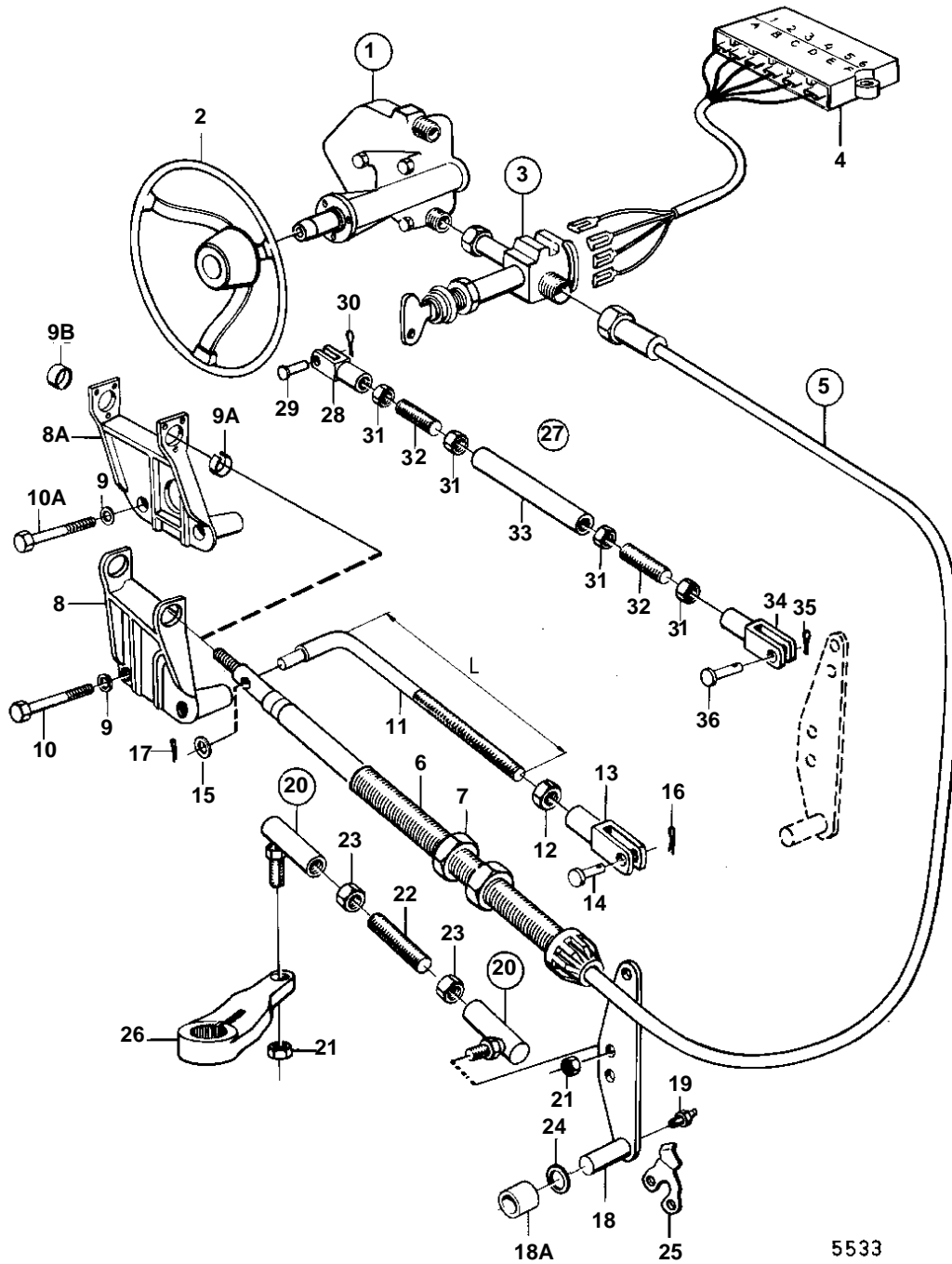


AQ200D,AQ225D,AQ255B



AQ200D,AQ225D,AQ255B

REF	PART NO.	QTY	DESCRIPTION	SEE SEC.	NOTES
1	850809	1	Steering head		
				060-0500	
2	850936	1	Steering wheel		(814138)
3	839544	1	Steering lock		
				060-0800	
4	839617	1	Extension cable\verl		
5	850810	X	Steering cable		L = 3000 MM
	850811	X	Steering cable		L = 3300 MM
	850812	X	Steering cable		L = 3600 MM
	850813	X	Steering cable		L = 3900 MM
	850814	X	Steering cable		L = 4200 MM
	850815	X	Steering cable		L = 4500 MM
	850816	X	Steering cable		L = 4800 MM
	850817	X	Steering cable		L = 5100 MM
	850818	X	Steering cable		L = 5500 MM
	850820	X	Steering cable		L = 6100 MM
	850822	X	Steering cable		L = 6700 MM
	850826	X	Steering cable		L = 7900 MM
	850828	X	Steering cable		L = 8500 MM
6	850771	1	Anchorage		(835693)
7	850778	4	Nut		(955861)
8		1	BRACKET		ONLY FOR TWIN INSTALLATION.
8A	850958	1	Guide bracket		
9	942336	2	Spring washer		
9A	850960	1	Bushing		
9B	850959	1	Bushing		
10	955542	2	Screw		L = 83 MM
10A	955541	2	Screw		L = 76 MM
11	850478	1	Link rod		L = 318 MM
	850479	1	Link rod		L = 195 MM
12	940154	1	Nut		
13	956511	1	Fork		
14	913158	1	Clevis pin		
15	940097	1	Washer		
16	907856	1	Cotter pin		
17	964960	1	Cotter pin		
18	851385	1	Link arm		(850480)
18A	850653	1	Bushing		SEE GROUP 4A
19	914169	1	Lubricating nipple		
20	851325	2	Ball joint		
21	851326	2	Lock nut		
22	850736	1	Control rod		
23	940152	2	Nut		
24	955906	1	Washer		
25	850489	1	Stop arm		
26	850488	1	Spindle arm		SEE GROUP 4A
27	850674	1	Tie rod		INCLUDED IN 850138.. FOR EARLY TYPE OF 839094.
	850776	1	Tube		INCLUDED IN 850138.. FOR EARLY TYPE OF 832394.
28	956511	1	• Fork		
29	913158	1	• Clevis pin		
30	907856	1	• Cotter pin		
31	940154	4	• Nut		
32	839577	2	• Rod		
33	839576	1	• Tube		L = 560 MM
	850775	1	• Tube		L = 360 MM. INDIQUER CODE DE CLEF QUAND VOUS ORDEZ
34	956511	1	• Fork		
35	907856	1	• Cotter pin		
36	913158	1	• Clevis pin		